



It is the customers / owners responsibility to verify all measurements

Generally all measurement are to be taken by the framer / builder, however Salmon Arm Truss can do this job, customer will be billed at current rate. It is still the customers / owners responsibility to verify all measurements.

Span: _____

Peak: _____

Heel: _____

O/H: _____

Other info:

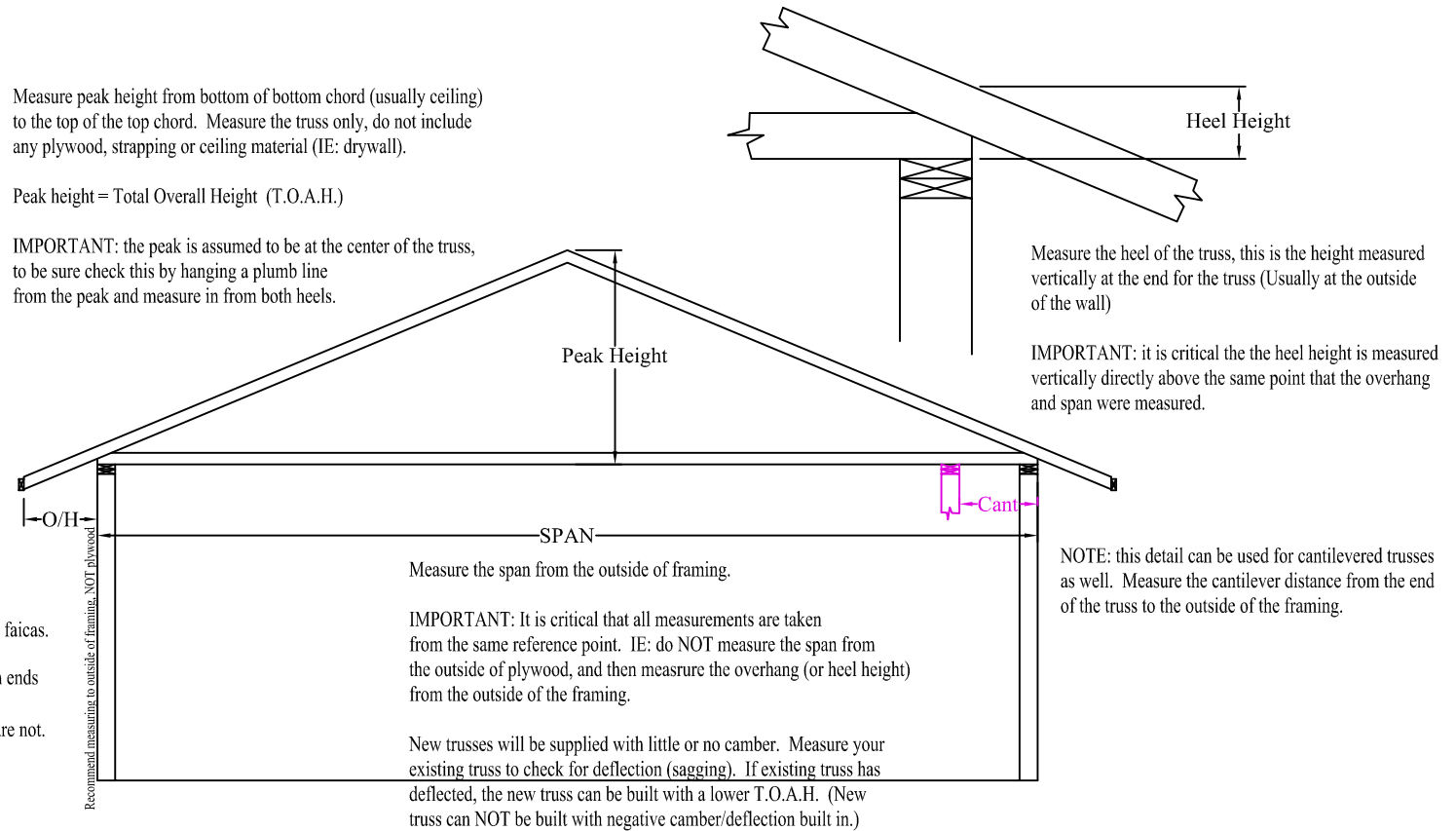
Measure truss overhang horizontally (not along slope). Measure from framing to end of truss tail, do not include faicas. Measure both overhangs to make sure they are the same, if only one measurement is given, it will be used for both ends

Bearing walls are assumed to be 2x6, make note if they are not.

Measure peak height from bottom of bottom chord (usually ceiling) to the top of the top chord. Measure the truss only, do not include any plywood, strapping or ceiling material (IE: drywall).

Peak height = Total Overall Height (T.O.A.H.)

IMPORTANT: the peak is assumed to be at the center of the truss, to be sure check this by hanging a plumb line from the peak and measure in from both heels.



Measure the span from the outside of framing.

IMPORTANT: It is critical that all measurements are taken from the same reference point. IE: do NOT measure the span from the outside of plywood, and then measure the overhang (or heel height) from the outside of the framing.

New trusses will be supplied with little or no camber. Measure your existing truss to check for deflection (sagging). If existing truss has deflected, the new truss can be built with a lower T.O.A.H. (New truss can NOT be built with negative camber/deflection built in.)

This drawings is intended to obtain measurements of an existing structure. Other information including, but not limited type of roofing, type of building (residential, farm, commercial), job location, gable details, snow load, and truss spacing are to be provided and verified separately by the owner/customer.

Job Name: _____	
Truss Measuring Detial	Site Address / City _____
Date: m ____ / d ____ / y ____	Review by : _____
Job # _____	Signature _____