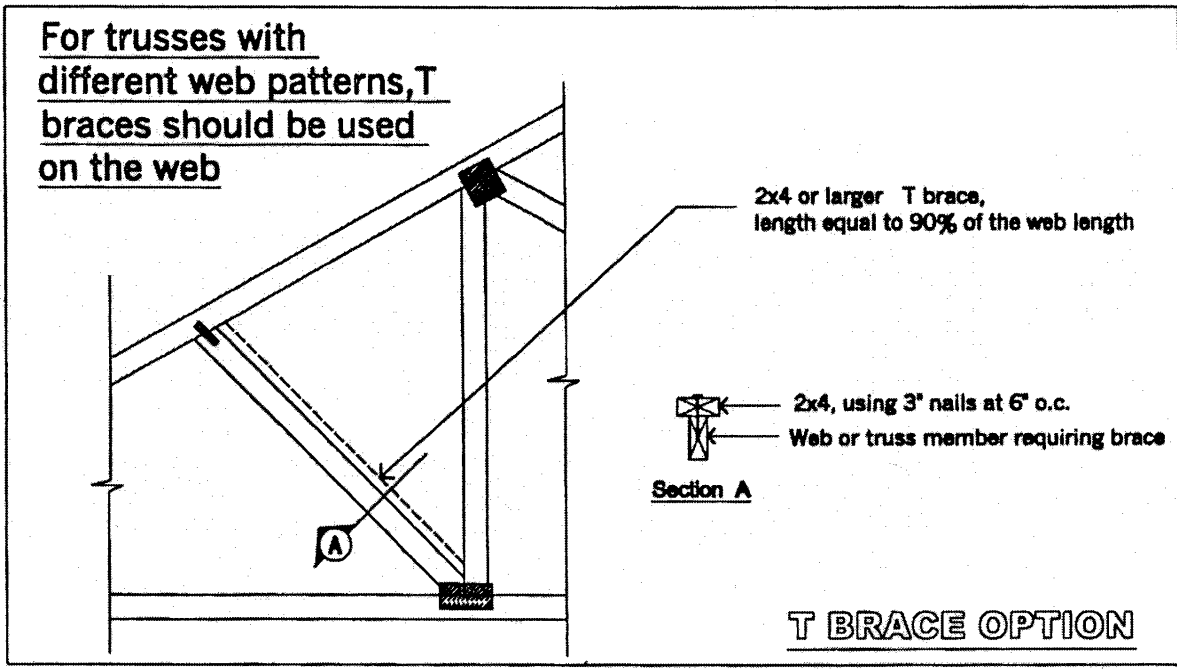
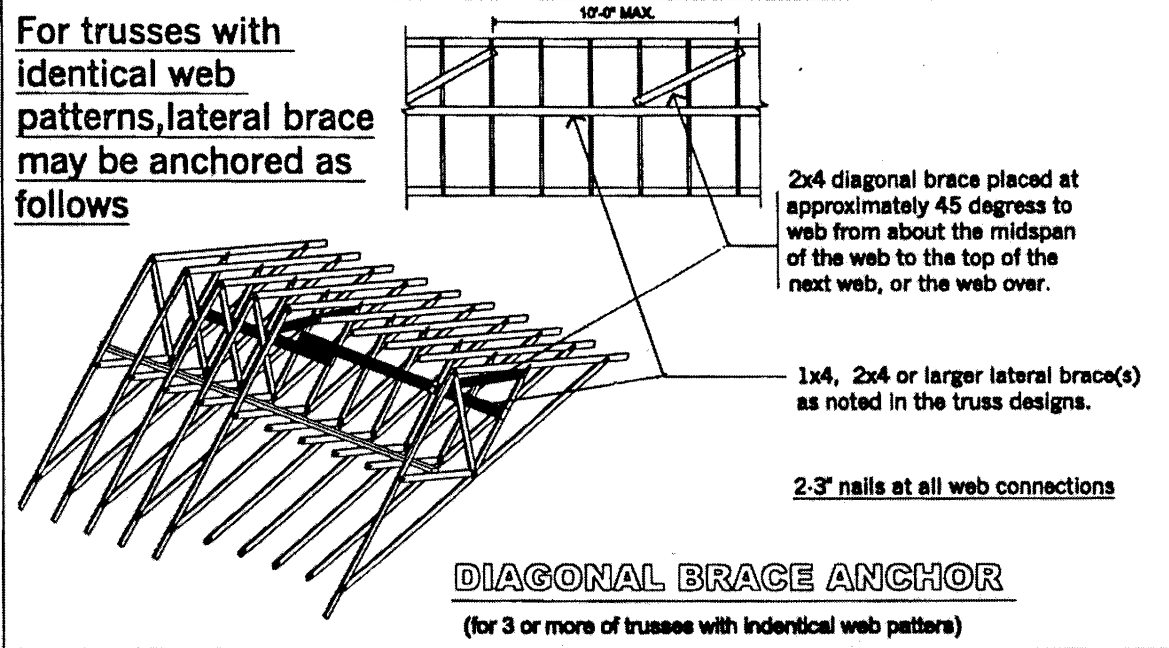


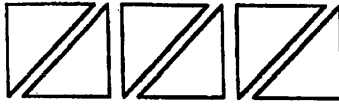


*Technical Guideline:*

# ANCHORING PERMANENT WEB BRACING

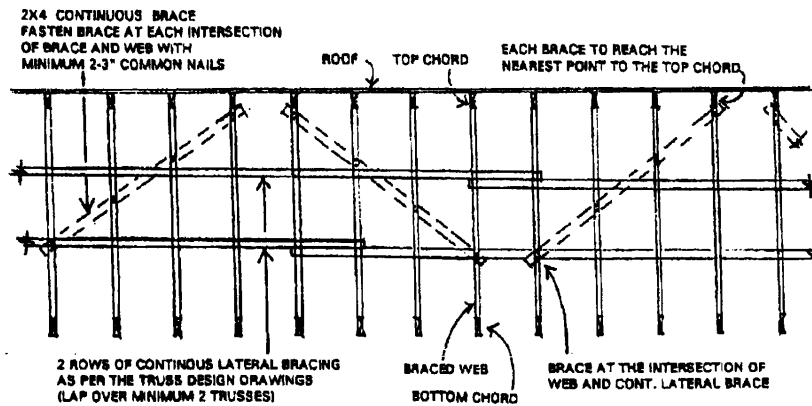


This information is intended to illustrate certain options for transferring web buckling forces to the roof diaphragm in pitched and parallel chord trusses. It is intended to provide typical configurations only. These configurations are deemed to be relatively conservative, however will not cover all cases. Qualified persons must ensure specific applications will resist imposed loads.



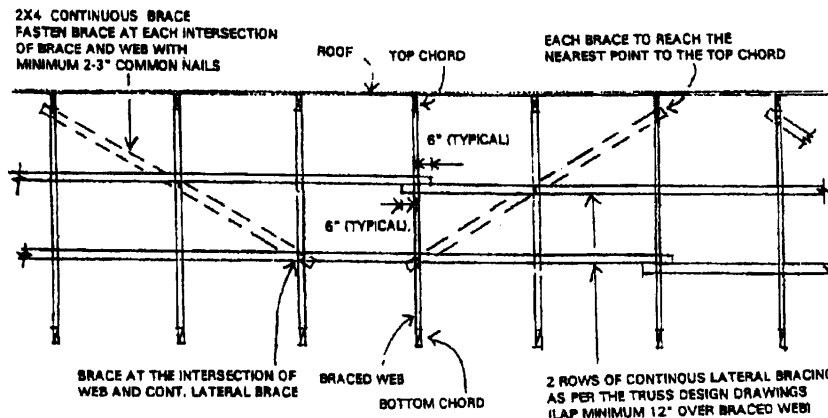
*Technical Guideline:*

**ANCHORING DOUBLE CONTINUOUS WEB BRACING**



**TRUSSES AT 2'-0" O.C.**

NOTE: EACH BRACE TO CROSS OVER 4 TRUSSES (AT APPROX. 45°)



**TRUSSES AT 4'-0" O.C.**

NOTE: EACH BRACE TO CROSS OVER 3 TRUSSES (AT APPROX. 45°)

This information is intended to illustrate certain options for resisting accumulated web buckling forces in pitched and parallel chord trusses. It is intended to provide typical configurations only. These configurations are deemed to be relatively conservative, however will not cover all cases. Qualified persons must ensure specific applications will resist imposed loads.